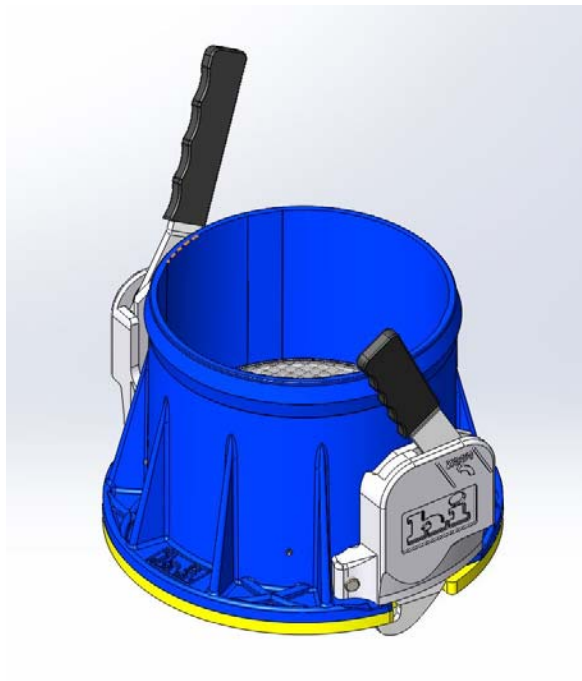
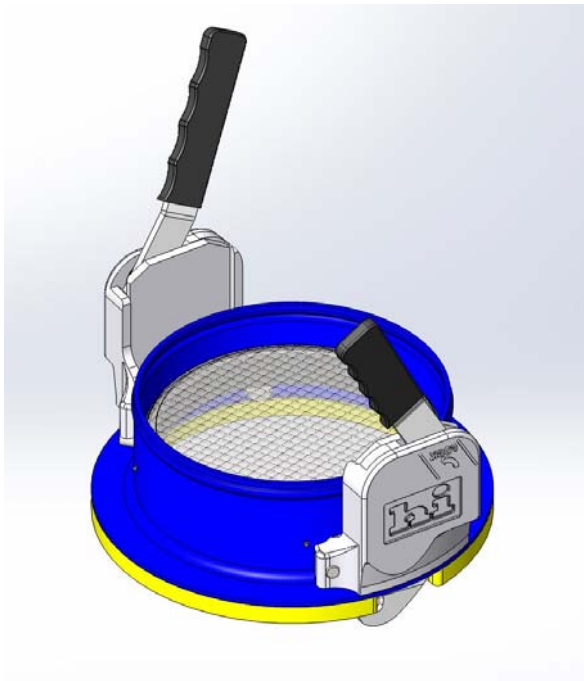




# AIR INLET ADAPTER

Usage, Configurations, and Parts

## MANUAL



For ordering New Air Inlet Adapters or Replacement Parts Please Contact:

Sales @ 724-752-2000  
Or Fax @ 724-758-1558  
Or Email [service@hallindustries.com](mailto:service@hallindustries.com)

Hall Industries, Inc.  
514 Mecklem Lane  
Ellwood City, PA 16117  
724-752-2000

October 22, 2013  
Revision 00



0. Index

Section	Description	Page
One	Warranty	2
Two	Operating Procedures	2
Three	8" Air Inlet Adapter's	2
Four	8" to 14" Air Inlet Adapter	3
Five	8" to 12" Air Inlet Adapter	4
Six	PCA Hose Clamps	5
Seven	Ordering Info	5
Eight	Attachment List	5

1. Warranty

1.1. Handles are guaranteed against manufacturing defects for one year. If at any time this manual is not followed it will void the warranty (preventive maintenance logs are required for all warranty replacement parts). All replacement parts must be genuine Hall Industries parts.

2. Operating Procedures

NOTE: This must be done in accordance with the aircraft manual.

- 2.1. Line up coupling with connection on aircraft and have handles in open position.
- 2.2. Push adapter gasket tight to the inlet and move handles to "LOCK" position while lined up with aircraft locking tabs.

3. 8" Air Inlet Adapter (See Attachment section for Exploded Views)

- 3.1. IA-8980-WS Aluminum 8" Air Inlet Adapter Assembly w/ Screen
- 3.2. IA-8980 Aluminum 8" Air Inlet Adapter Assembly
  - 3.2.1. Shipping Info 5.2lbs 12"x12"x12"
- 3.3. IA-8980-NWS Nylon 8" Air Inlet Adapter Assembly w/ Screen
- 3.4. IA-8980-N Nylon 8" Air Inlet Adapter Assembly
  - 3.4.1. Shipping Info 6lbs 12"x12"x12"



4. 8" to 14" Air Inlet Adapter



4.1. Complete Assembly With Screen	PCA-8114-WS	
4.2. Complete Assembly Without Screen	PCA-8114	
4.3. Clamp to attach Ducting	(2 Req'd) HT-100PCA-400-7	
4.4. Replacement Parts		
4.4.1. Handles (Latch Assembly Weldment)	(2 Req'd)	8114-2-100
4.4.2. Handle Bolts	(4 Req'd)	8114-2-1
4.4.3. Lock Washers	(4 Req'd)	8980-2-2
4.4.4. Screen	(One Req'd)	IA-8980-S-N
4.4.5. Screen Screws	(4 Req'd)	8980-SCREW-L
4.5. Shipping Info	8lbs	14"x16"x16"



5. 8" to 12" Air Inlet Adapter



5.1. Complete Assembly With Screen	PCA-8192-WS
5.2. Complete Assembly Without Screen	PCA-8192
5.3. Clamp to attach Ducting	(2 Req'd) HT-100PCA-400-6
5.4. Replacement Parts	
5.4.1. Handles (Latch Assembly Weldment)	(2 Req'd) 8114-2-100
5.4.2. Handle Bolts	(4 Req'd) 8114-2-1
5.4.3. Lock Washers	(4 Req'd) 8980-2-2
5.4.4. Screen	(One Req'd) IA-8980-S-N
5.4.5. Screen Screws	(4 Req'd) 8980-SCREW-L
5.5. Shipping Info	7.6lbs 14"x14"x14"

## 6. High Quality / High Tension Stainless Steel Hose Clamps to Attach Ducting



Clamps required to attach the air inlet adapters to PCA Ducting:

- |  |             |                            |
|--|-------------|----------------------------|
| <b>6.1.</b> Hose Clamp to attach Ducting 8"  | (One Req'd) | HT-100PCA-400-8 Hose Clamp |
| <b>6.2.</b> Hose Clamp to attach Ducting 12" | (2 Req'd)   | HT-100PCA-400-6 Hose Clamp |
| <b>6.3.</b> Hose Clamp to attach Ducting 14" | (2 Req'd)   | HT-100PCA-400-7 Hose Clamp |

## 7. Ordering Info

- 7.1.** Accepted Payments Include (but not limited to):
  - 7.1.1. Visa
  - 7.1.2. MasterCard
  - 7.1.3. American Express
  - 7.1.4. Company Check Wire Transfer
- 7.2.** Standard terms ~ NET 30 with approved credit
- 7.3.** Minimum Orders ~ \$50
- 7.4.** The Order Form is listed in the attachments of this document.

## 8. Attachment List

- 8.1.** IA-8980-WS      Aluminum 8" Air Inlet Adapter Assembly w/ Screen
- 8.2.** IA-8980-NWS      Nylon 8" Air Inlet Adapter Assembly w/ Screen
- 8.3.** Order Form
- 8.4.** Other Products and Services

**NOTES:**

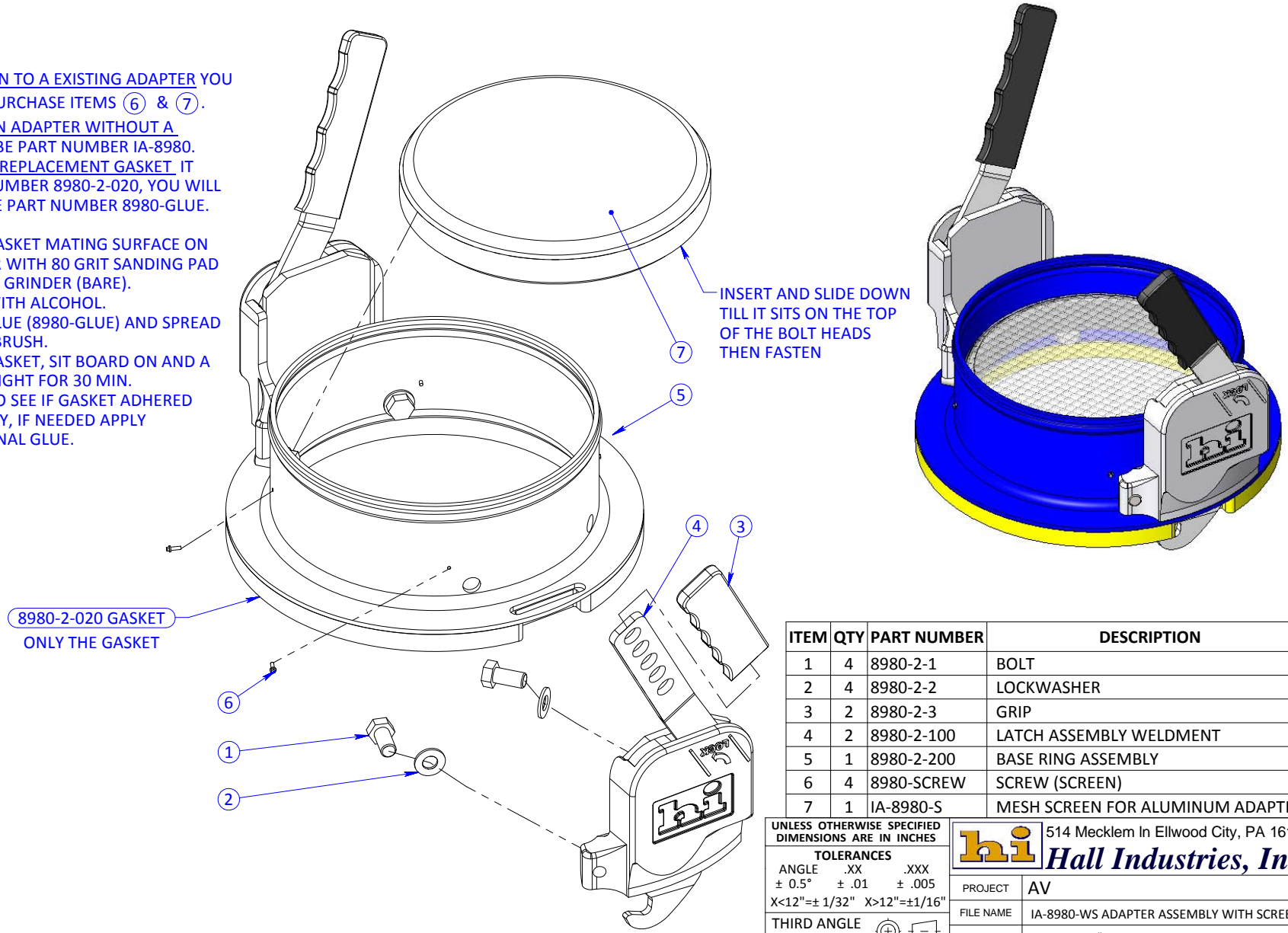
1. TO ATTACH SCREEN DRILL FOUR 5/64" HOLES AND INSTALL FOUR OF ITEM ⑥.
2. TIGHTEN BOLTS TO NORDLOCK WASHERS (A DROP OF BLUE LOCTITE CAN BE USED IN CONJUNCTION).

**ORDERING INFO:**

1. TO ADD A SCREEN TO A EXISTING ADAPTER YOU WILL NEED TO PURCHASE ITEMS ⑥ & ⑦.
2. TO PURCHASE AN ADAPTER WITHOUT A SCREEN IT WILL BE PART NUMBER IA-8980.
3. TO PURCHASE A REPLACEMENT GASKET, IT WILL BE PART NUMBER 8980-2-020, YOU WILL ALSO NEED GLUE PART NUMBER 8980-GLUE.

**PROCEDURE:**

- SCUFF GASKET MATING SURFACE ON ADAPTER WITH 80 GRIT SANDING PAD ON A DIE GRINDER (BARE).
- CLEAN WITH ALCOHOL.
- APPLY GLUE (8980-GLUE) AND SPREAD WITH A BRUSH.
- PLACE GASKET, SIT BOARD ON AND A 20LB WEIGHT FOR 30 MIN.
- CHECK TO SEE IF GASKET ADHERED PROPLERY, IF NEEDED APPLY ADDITIONAL GLUE.



REVISIONS				
REV	DESCRIPTION	DATE	BY	CHK

ITEM	QTY	PART NUMBER	DESCRIPTION
1	4	8980-2-1	BOLT
2	4	8980-2-2	LOCKWASHER
3	2	8980-2-3	GRIP
4	2	8980-2-100	LATCH ASSEMBLY WELDMENT
5	1	8980-2-200	BASE RING ASSEMBLY
6	4	8980-SCREW	SCREW (SCREEN)
7	1	IA-8980-S	MESH SCREEN FOR ALUMINUM ADAPTER

UNLESS OTHERWISE SPECIFIED  
DIMENSIONS ARE IN INCHES

**TOLERANCES**  
 ANGLE .XX .XXX  
 ± 0.5° ± .01 ± .005  
 X<12"=± 1/32" X>12"=±1/16"

THIRD ANGLE PROJECTION

**hi** 514 Mecklem In Ellwood City, PA 16117  
**Hall Industries, Inc.**

PROJECT AV  
 FILE NAME IA-8980-WS ADAPTER ASSEMBLY WITH SCREEN  
 DESCRIPTION ALUMINUM 8" AIR ADAPTER ASSEMBLY WITH SCREEN

CHECK DC,VTM	DATE 10/10/2013	SIZE A	DWG/PART NO. IA-8980-WS	REV 0
DRAWN BJE	DATE 10/10/2013	SCALE 1:4	WEIGHT: 7.35 LBS	SHEET 1 OF 1

© 2013 HALL INDUSTRIES, INC. ALL RIGHTS RESERVED.

HALL INDUSTRIES, INC. PROPRIETARY RIGHTS ARE INCLUDED IN THE INFORMATION DISCLOSED HEREIN. RECIPIENT, BY ACCEPTING THIS DOCUMENT, AGREES THAT NEITHER THIS DOCUMENT NOR THE INFORMATION DISCLOSED HEREIN NOR ANY PART THEREOF SHALL BE REPRODUCED OR TRANSFERRED TO OTHER DOCUMENTS OR USED OR DISCLOSED TO OTHERS FOR MANUFACTURING OR FOR ANY OTHER PURPOSE EXCEPT AS SPECIFICALLY AUTHORIZED IN WRITING BY HALL INDUSTRIES, INC.

**NOTES:**

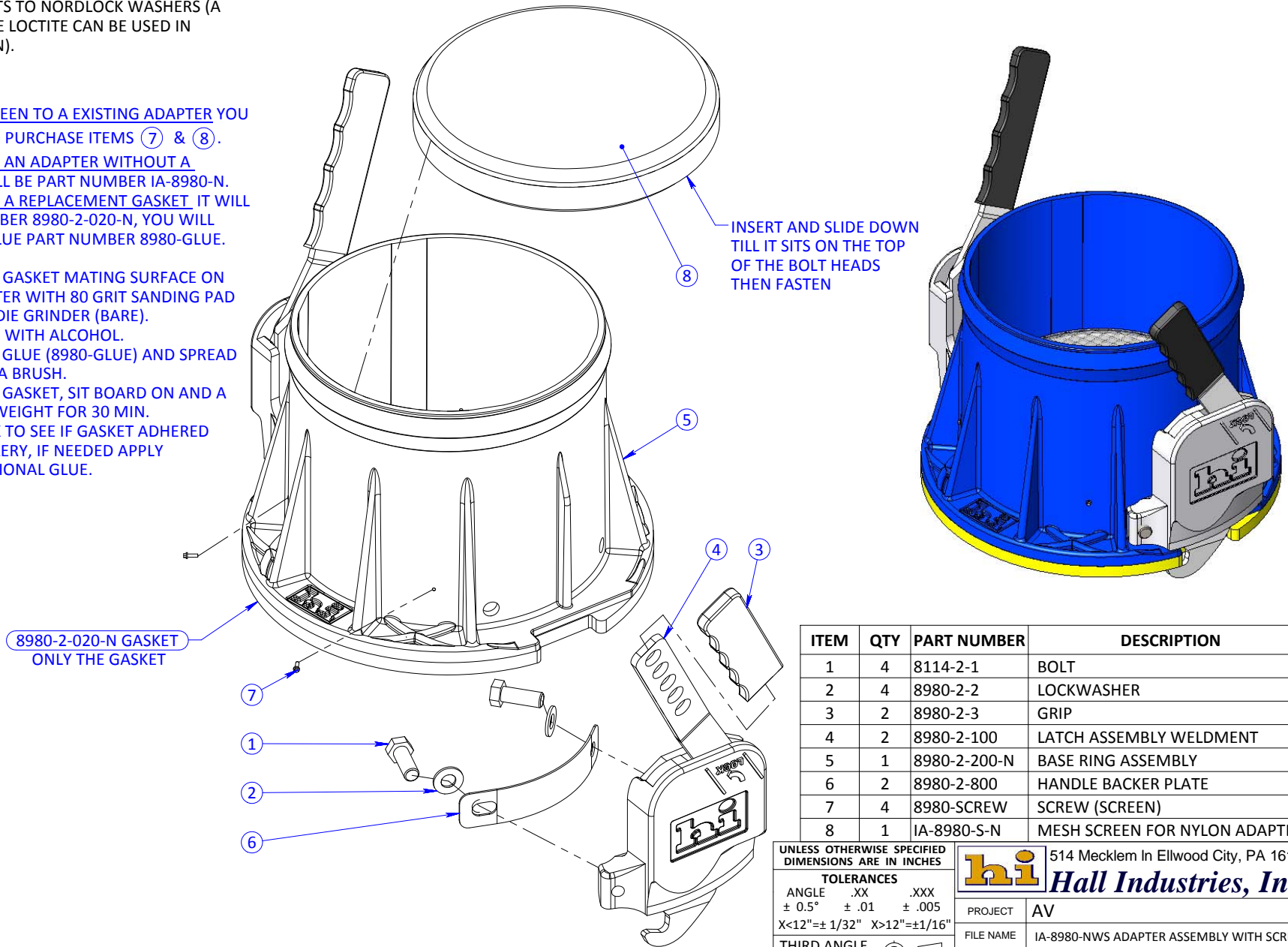
1. TO ATTACH SCREEN DRILL FOUR 5/64" HOLES AND INSTALL FOUR OF ITEM ⑦.
2. TIGHTEN BOLTS TO NORDLOCK WASHERS (A DROP OF BLUE LOCTITE CAN BE USED IN CONJUNCTION).

**ORDERING INFO:**

1. TO ADD A SCREEN TO A EXISTING ADAPTER YOU WILL NEED TO PURCHASE ITEMS ⑦ & ⑧.
2. TO PURCHASE AN ADAPTER WITHOUT A SCREEN IT WILL BE PART NUMBER IA-8980-N.
3. TO PURCHASE A REPLACEMENT GASKET, IT WILL BE PART NUMBER 8980-2-020-N, YOU WILL ALSO NEED GLUE PART NUMBER 8980-GLUE.

**PROCEDURE:**

- SCUFF GASKET MATING SURFACE ON ADAPTER WITH 80 GRIT SANDING PAD ON A DIE GRINDER (BARE).
- CLEAN WITH ALCOHOL.
- APPLY GLUE (8980-GLUE) AND SPREAD WITH A BRUSH.
- PLACE GASKET, SIT BOARD ON AND A 20LB WEIGHT FOR 30 MIN.
- CHECK TO SEE IF GASKET ADHERED PROPLERY, IF NEEDED APPLY ADDITIONAL GLUE.



INSERT AND SLIDE DOWN TILL IT SITS ON THE TOP OF THE BOLT HEADS THEN FASTEN

8980-2-020-N GASKET ONLY THE GASKET

ITEM	QTY	PART NUMBER	DESCRIPTION
1	4	8114-2-1	BOLT
2	4	8980-2-2	LOCKWASHER
3	2	8980-2-3	GRIP
4	2	8980-2-100	LATCH ASSEMBLY WELDMENT
5	1	8980-2-200-N	BASE RING ASSEMBLY
6	2	8980-2-800	HANDLE BACKER PLATE
7	4	8980-SCREW	SCREW (SCREEN)
8	1	IA-8980-S-N	MESH SCREEN FOR NYLON ADAPTER

UNLESS OTHERWISE SPECIFIED DIMENSIONS ARE IN INCHES  
**TOLERANCES**  
 ANGLE .XX .XXX  
 ± 0.5° ± .01 ± .005  
 X<12"=± 1/32" X>12"=±1/16"

**hi** 514 Mecklem In Ellwood City, PA 16117  
**Hall Industries, Inc.**

PROJECT AV  
 FILE NAME IA-8980-NWS ADAPTER ASSEMBLY WITH SCREEN  
 DESCRIPTION NYLON 8" AIR ADAPTER ASSEMBLY WITH SCREEN

THIRD ANGLE PROJECTION  
 CHECK DC, VTM  
 DRAWN BJE  
 DATE 10/10/2013

SIZE DWG/PART NO.  
 A IA-8980-NWS  
 SCALE 1:4 WEIGHT: 8.50 LBS SHEET 1 OF 1

© 2013 HALL INDUSTRIES, INC. ALL RIGHTS RESERVED.

HALL INDUSTRIES, INC. PROPRIETARY RIGHTS ARE INCLUDED IN THE INFORMATION DISCLOSED HEREIN. RECIPIENT, BY ACCEPTING THIS DOCUMENT, AGREES THAT NEITHER THIS DOCUMENT NOR THE INFORMATION DISCLOSED HEREIN NOR ANY PART THEREOF SHALL BE REPRODUCED OR TRANSFERRED TO OTHER DOCUMENTS OR USED OR DISCLOSED TO OTHERS FOR MANUFACTURING OR FOR ANY OTHER PURPOSE EXCEPT AS SPECIFICALLY AUTHORIZED IN WRITING BY HALL INDUSTRIES, INC.

Hall Industries Equipment Division ~ AIRLINE ORDERS

FAX#: 724 758-1558 PHONE # : 724 752-2000

ORDER DATE: \_\_\_\_\_ TAKEN BY: \_\_\_\_\_ TIME: \_\_\_\_\_ AIRLINE CODE: \_\_\_\_\_  
 PERSON CALLING: \_\_\_\_\_ PHONE#: \_\_\_\_\_ FAX: \_\_\_\_\_  
 E-MAIL ADDRESS: \_\_\_\_\_ CUSTOMER P.O.# \_\_\_\_\_  
 MASTER CARD# \_\_\_\_\_  
 EXP. DATE: \_\_\_\_\_ CVC# \_\_\_\_\_  
 SHIP DATE: \_\_\_\_\_ HOW TO SHIP: UPS: GRD \_\_\_\_\_ RED \_\_\_\_\_ OTHER \_\_\_\_\_  
 FED EX: GRD \_\_\_\_\_ O/N \_\_\_\_\_ O/N P1 \_\_\_\_\_ OTHER \_\_\_\_\_ Acct. # \_\_\_\_\_  
 TRUCKING COMPANY: \_\_\_\_\_  
 HUB : \_\_\_\_\_ EMPLOYEE # \_\_\_\_\_  
 BILLING ADDRESS: \_\_\_\_\_ SHIP TO ADDRESS: \_\_\_\_\_


PART NUMBER:	DESCRIPTION:	QTY:	PRICE:

NOTES: \_\_\_\_\_  
 \_\_\_\_\_  
 \_\_\_\_\_



**Other Products and Custom Design Services:**

Hall Industries provides a number of additional products beyond our towbar line. Some of the custom projects that we have done are shown below. We have our own engineering staff along with machine, fabrication, and GSE maintenance shops. We can design and build your ideas to increase safety, productivity, and profits.



**0017-0001 Custom Towbar (Solve a Problem)**

<<This project involved designing and manufacturing a custom towbar to be used in the Nuclear Industry. This towbar shipped complete with custom shear pins calibrated to the application.



**IA-8980 Preconditioned Air Inlet (PCA) Adapters**

<< Our PCA Inlet Adapters are part of our GSE product line. We inventory all of the parts and can ship usually the same day as ordered.>>



**0010-0001 Certified Transmission Lifting Bracket (Meet a Demand)**

A customer came to us with a lifting problem. They needed a tested and certified lifting bracket to prevent them from getting cited by OSHA. We designed, tested, and fabricated a solution. >>



**<<1000-3002 Adapter 8312 to Tronair 1000-0001 Hydro Adapter Assembly>>**

Hall Industries offers adapters for nearly every towbar (even competitors) that allow you to use our towbar tubes / heads with your existing equipment.



Besides the products listed above some of the other things that we sell include PCA ducting, Solid PBB tires, and baggage cart tires.

**Feel free to contact us about your GSE problems; after all we are “The Problem Solvers”.**