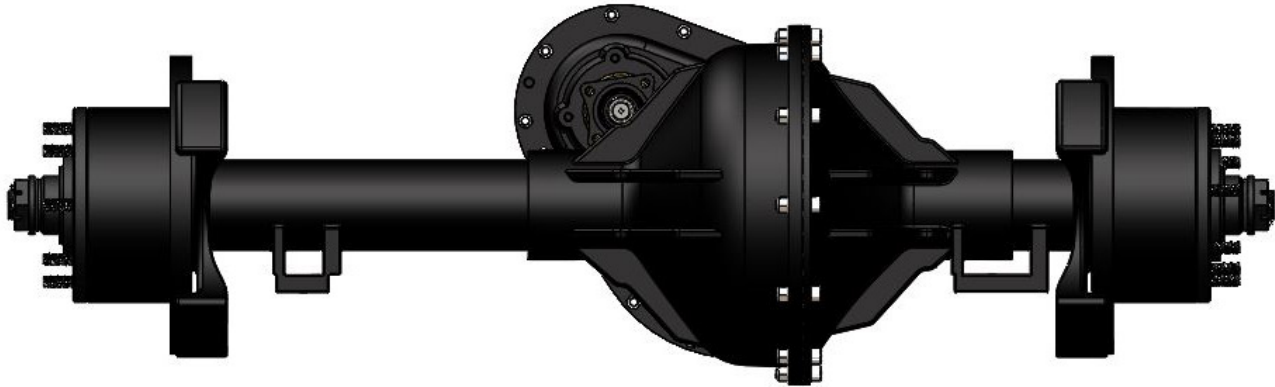




# HALL Technical Services, LLC

*“The GSE Problem Solvers”*

## HALL Rear Axle Refurbishment



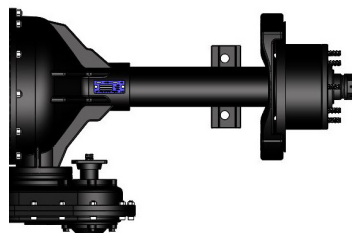
### Features

- EACH AXLE MEETS OR EXCEEDS OEM STANDARDS
- 1 YEAR WARRANTY
- AXLES INSPECTED AND COMPLETELY DISASSEMBLED
- NON-WEAR PARTS MEASURED AND INSPECTED FOR WEAR AND DAMAGE
- AXLE REPORT AND PART DOCUMENTS AVAILABLE FOR EACH AXLE
- PARTS WELDED, MACHINED, OR REPLACED AS REQUIRED
- OUTER SURFACES CLEANED AND PAINTED USING PPG PAINTS
- AXLES ARE CONTINUOUSLY INSPECTED DURING REBUILD TO ENSURE QUALITY
- AXLES REBUILT FOLLOWING OEM PROCEDURES
- FULL FINAL INSPECTION TO ENSURE AXLES MEET OR EXCEED OEM STANDARDS
- ALL BEARING CUPS AND CONES REPLACED WITH USA MADE BEARINGS
- ALL GASKETS, SEALS, HARDWARE, AND WEAR COMPONENTS REPLACED
- EACH AXLE IS TESTED THROUGH ITS OPERATING RPM



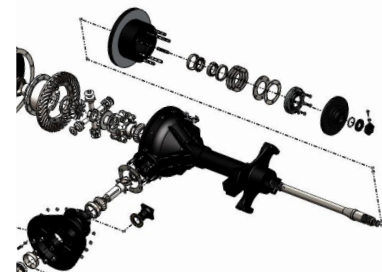
### Refurbishment

Offered on all series of GSE Baggage Tractor Rear Axles



### Availability

On the shelf availability for brake and non-brake axles



### Fast Turn Around

All cores received are rebuilt within 5 business days



Hall Technical Services, LLC  
www.halltechservices.com

514 Mecklem Lane  
Ellwood City, PA 16117-3028

P: 724.752.2000  
F: 724.758.1558