

HALL INDUSTRIES, Inc.

STEEL WHEELS & COMPONENTS

CRANE WHEELS, INDUSTRIAL CAR WHEELS & SHEAVES

With more than 50 years of experience in the design and manufacture of metal components for the Steel, Material Handling and Transportation Industries, Hall Industries is now able to meet your needs for heavy duty steel wheels and rollers for the most demanding applications in diameters from 6 inches to 50 inches. Our design and application engineers have the knowledge and experience in material selection, machining, heat treating, and testing to ensure that you get the proper wheel for your application. Whether you need double flanged wheels, single flanged rail wheels or wire rope sheaves, we have the experience to specify, design, and produce the right wheel for your requirement.

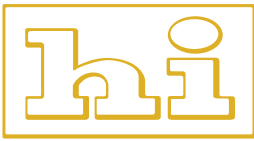


CUSTOM WHEELS & COMPONENTS

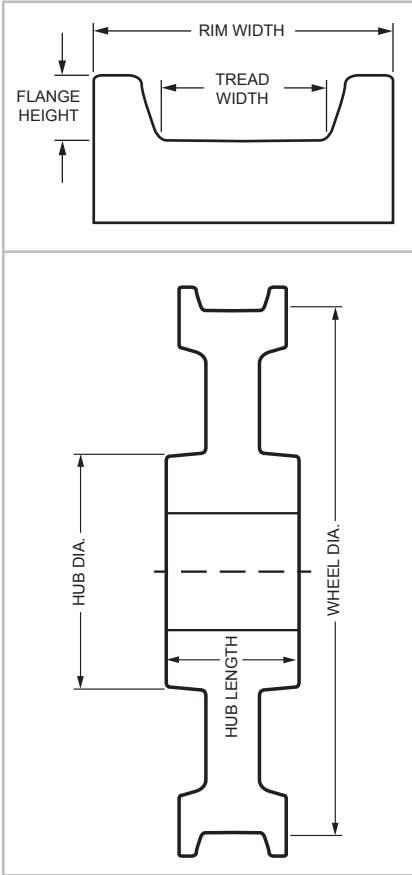
In addition to the standard wheel designs, Hall Industries is able to design and manufacture wheels and rollers for virtually any application. Difficult applications and unique designs are our specialty! We are also able to supply many other machined and/or fabricated components including axles, bearing cartridges, fabricated sub-assemblies and other machined or fabricated parts for most industrial, material handling and transportation applications. With ISO-9000 compliant practices, you can count on Hall Industries to make your parts correctly the first time!



For more information please visit us online at www.hallindustries.com, call 724.824.7140 or fax 724.758.1558, or email us at mmcginley@hallindustries.com

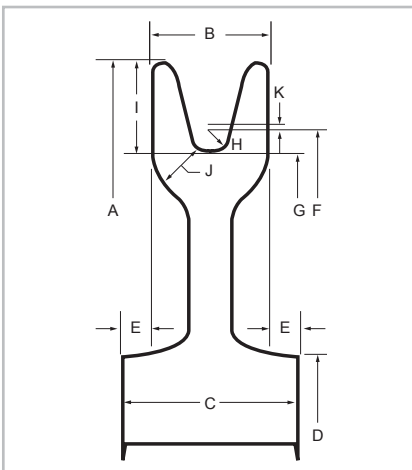


STANDARD CRANE WHEELS - DIMENSION TABLE



| SECTION NUMBER | APPROXIMATE FINISH WEIGHT | MIN. WEB THICKNESS | WHEEL TREAD DIAMETER | RIM WIDTH | HUB LENGTH | STD. TREAD WIDTH | MIN. TIRE THICKNESS | MIN. HUB DIAMETER |
|----------------|---------------------------|--------------------|----------------------|-----------|------------|------------------|---------------------|-------------------|
| WCL-100 | 100 | 2-1/4" | 10" | 4" | 5" | 2.25" | 1-3/4" | 6" |
| WCL-121 | 125 | 2-1/4" | 12" | 4" | 5" | 2.25" | 1-3/4" | 6" |
| WCL-122 | 145 | 2-1/2" | 12" | 4-1/2" | 5-1/2" | 2.5" | 1-3/4" | 6" |
| WCL-123 | 170 | 3" | 12" | 5" | 6" | 3" | 1-3/4" | 7" |
| WCL-151 | 200 | 2-1/4" | 15" | 4" | 5" | 2.25" | 2" | 8" |
| WCL-152 | 225 | 2-1/2" | 15" | 4-1/2" | 5-1/2" | 2.5" | 2" | 8" |
| WCL-153 | 245 | 3" | 15" | 5" | 6" | 3" | 2" | 8" |
| WC-151 | 280 | 3-1/2" | 15" | 5-1/2" | 6" | 3.25" | 1-3/4" | 9-1/2" |
| WCL-181 | 305 | 2-1/2" | 18" | 4-1/2" | 5-1/2" | 2.5" | 2-1/4" | 9" |
| WCL-182 | 340 | 3" | 18" | 5" | 6" | 3" | 2-1/4" | 9" |
| WC-181 | 380 | 3-1/4" | 18" | 5-1/2" | 6" | 3.25" | 2-1/4" | 10-1/2" |
| WC-182 | 455 | 4" | 18" | 6" | 7" | 4" | 2-1/4" | 10-1/2" |
| WC-202 | 410 | 2" | 20" | 6-1/2" | 7" | 4" | 2-1/2" | 10-1/2" |
| WCL-211 | 430 | 2" | 21" | 5" | 6" | 3" | 2-1/2" | 10" |
| WC-211 | 445 | 1-1/2" | 21" | 5-1/2" | 6" | 3.25" | 2-1/2" | 11" |
| WC-212 | 550 | 2-1/2" | 21" | 6" | 7" | 4" | 2-1/2" | 11" |
| WC-213 | 655 | 3-1/2" | 21" | 6-1/2" | 8" | 4.875" | 2-1/2" | 12" |
| WCL-241 | 545 | 2" | 24" | 5" | 6" | 3" | 3" | 10" |
| WC-241 | 560 | 1-1/2" | 24" | 5-1/2" | 6" | 3.25" | 3" | 11-1/2" |
| WC-242 | 690 | 2-1/2" | 24" | 6-1/2" | 7" | 4" | 3" | 11-1/2" |
| WC-243 | 830 | 3" | 24" | 7-1/2" | 8" | 4.875" | 3" | 13-1/2" |
| WC-244 | 1005 | 3-1/2" | 24" | 8" | 8-1/2" | 5.5" | 3" | 15" |
| WC-271 | 675 | 2" | 27" | 5-1/2" | 6" | 3.25" | 3" | 11-1/2" |
| WC-272 | 840 | 2" | 27" | 6-1/2" | 7" | 4" | 3" | 13-1/2" |
| WC-273 | 1000 | 2" | 27" | 7-1/2" | 8" | 4.875" | 3" | 13-1/2" |
| WC-274 | 1135 | 2" | 27" | 8" | 8-1/2" | 5.5" | 3" | 15" |
| WC-301 | 975 | 2" | 30" | 6-1/2" | 7" | 4" | 3" | 13-1/2" |
| WC-302 | 1170 | 3" | 30" | 7-1/2" | 8" | 4.875" | 3" | 13-1/2" |
| WC-303 | 1315 | 3-1/2" | 30" | 8" | 8-1/2" | 5.5" | 3" | 15" |
| WC-331 | 1500 | 2" | 33" | 6-1/2" | 7" | 4" | 3-1/2" | 13-1/2" |
| WC-361 | 1430 | 2" | 36" | 6-1/2" | 7" | 4" | 4" | 13-1/2" |
| WC-362 | 1645 | 3" | 36" | 7-1/2" | 8" | 4.875" | 4" | 13-1/2" |
| WC-363 | 1860 | 3-1/2" | 36" | 8" | 8-1/2" | 5.5" | 4" | 15" |

STANDARD SHEAVE WHEELS - DIMENSION TABLE



| SECTION NUMBER | APPROX. WEIGHT | ROPE DIA. | OUTSIDE DIA. | RIM WIDTH | HUB LENGTH | HUB DIA. | HUB PROJECTION | PITCH DIA. | ROOT DIA. | GROOVE RADIUS | GROOVE DEPTH | ROPE WALL | CLEARANCE OFFSET |
|----------------|----------------|-----------|--------------|-----------|------------|----------|----------------|------------|-----------|---------------|--------------|-----------|------------------|
| | | | A | B | C | D | E | F | G | H | I | J | K |
| WSW-162 | 100 | 1/2" | 16" | 1-3/4" | 3-1/2" | 8" | 7/8" | 15" | 14-1/2" | 9/32" | 3/4" | 1/2" | 1/32" |
| WSW-202 | 150 | 5/8" | 20" | 2" | 3-1/2" | 9-1/2" | 3/4" | 18-3/4" | 18-1/8" | 11/32" | 15/16" | 5/8" | 1/32" |
| WSW-222 | 170 | 5/8" | 21-3/4" | 2" | 3-1/2" | 9-1/2" | 3/4" | 20-1/2" | 19-7/8" | 11/32" | 15/16" | 5/8" | 1/32" |
| WSW-242 | 235 | 3/4" | 24" | 2-1/4" | 3-1/2" | 11" | 5/8" | 22-1/2" | 21-3/4" | 13/32" | 1-1/8" | 3/4" | 1/32" |
| WSW-262 | 255 | 3/4" | 26" | 2-1/4" | 3-1/2" | 11" | 5/8" | 24-1/2" | 23-3/4" | 13/32" | 1-1/8" | 3/4" | 1/32" |
| WSW-282 | 315 | 7/8" | 28" | 2-1/2" | 3-3/4" | 12" | 5/8" | 26-1/4" | 25-3/8" | 31/64" | 1-5/16" | 7/8" | 3/64" |
| WSW-302 | 355 | 7/8" | 30" | 2-1/2" | 3-3/4" | 12" | 5/8" | 28-1/4" | 27-3/8" | 31/64" | 1-5/16" | 7/8" | 3/64" |
| WSW-322 | 420 | 1" | 32" | 2-3/4" | 3-3/4" | 12-1/2" | 1/2" | 30" | 29" | 35/64" | 1-1/2" | 1" | 3/64" |
| WSW-342 | 430 | 1" | 34" | 2-3/4" | 3-3/4" | 12-1/2" | 1/2" | 32" | 31" | 35/64" | 1-1/2" | 1" | 3/64" |
| WSW-362 | 560 | 1-1/8" | 36" | 3" | 4" | 14" | 1/2" | 33-3/4" | 32-5/8" | 39/64" | 1-11/16" | 1-1/8" | 3/64" |
| WSW-382 | 675 | 1-1/8" | 38-1/4" | 3" | 4" | 14" | 1/2" | 36" | 34-7/8" | 39/64" | 1-11/16" | 1-1/8" | 3/64" |
| WSW-402 | 795 | 1-1/4" | 40" | 3-1/4" | 4-1/4" | 14" | 1/2" | 37-1/2" | 36-1/4" | 11/16" | 1-7/8" | 1-1/4" | 1/16" |
| WSW-422 | 860 | 1-1/4" | 42-1/2" | 3-1/4" | 4-1/4" | 14" | 1/2" | 40" | 38-3/4" | 11/16" | 1-7/8" | 1-1/4" | 1/16" |
| WSW-442 | 975 | 1-3/8" | 44" | 3-1/2" | 4-1/2" | 14" | 1/2" | 41-1/4" | 39-7/8" | 3/4" | 2-1/16" | 1-3/8" | 1/16" |
| WSW-482 | 1100 | 1-1/2" | 48" | 3-3/4" | 4-3/4" | 15" | 1/2" | 45" | 43-1/2" | 13/16" | 2-1/4" | 1-1/2" | 1/16" |